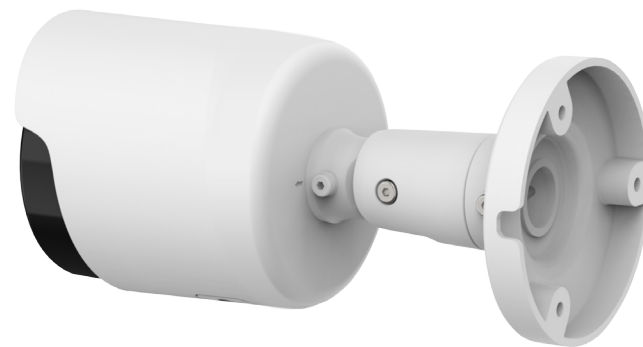
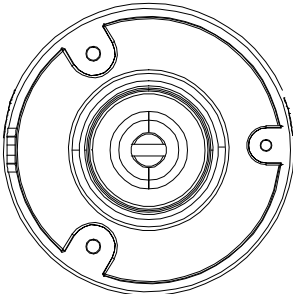
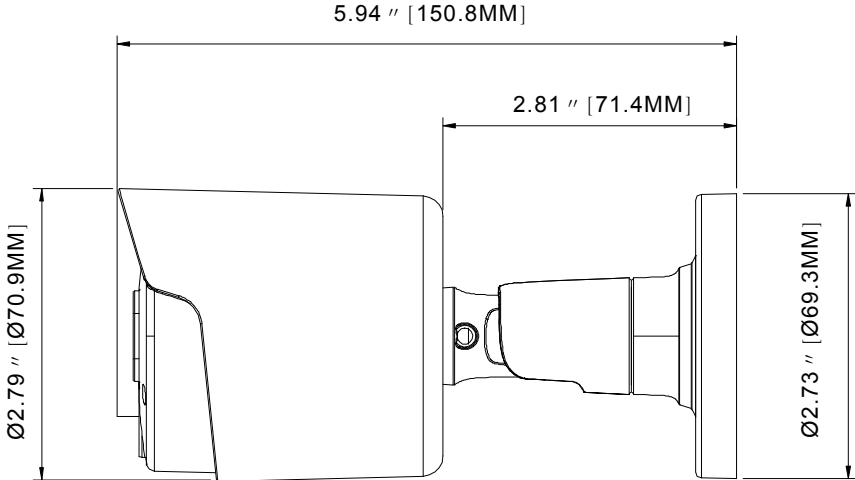
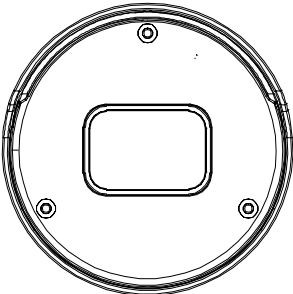


# CK

bullet (fixed lens)



# Dimensions





Model no:  
OS-BRSF5MP-28PW



## Video

**Imaging Device:** 1/2.7"  
**Effective Pixels:** 5MP 2880 (H)x1620 (V)  
**Scanning System:** Progressive CMOS  
**Min. Illumination:** Color 0.004lux @ F1.6(AGC ON) ;  
B/W 0 lux @ IR ON

## Lens Type

**Focal Length(Zoom Ratio):** 3.6mm  
**Max. Aperture Ratio:** F No. 1.6  
**Angular Field of View:** Horizontal: 91°, Vertical: 46°,  
Diagonal: 110°  
**Min. Object Distance:** 2M  
**Lens Type:** Fixed(M12)

## Operational

**IR Viewable Length:** Up to 30m  
**Camera Title:** On/Off  
**Day & Night:** IR cut filter with auto switch  
(Day/Night/Auto/Image/Schedule)  
**Backlight Compensation:** Off/On (5 Zone)  
**Wide Dynamic Range:** WDR  
**Digital Noise Reduction:** 3D DNR  
**Motion Detection:** Off/On (8 Level)  
**Privacy Masking:** Off/On (4 Zone, Rectangle)  
**Gain Control:** Auto  
**White Balance:** Auto/Manual  
**Electronic Shutter Speed:** 1/5 ~ 1/20000s  
**On-Board Storage:** Micro SD slot, up to 256GB  
**Alarm:** NA  
**Audio:** Built-in microphone  
**Hardware Reset:** Yes  
**Smart Feature:**  
Face Detection (FD)  
Human&Vehicle Detection (PD&VD)  
Perimeter Intrusion Detection (PID)  
Line Crossing Detection (LCD)  
Cross Counting (CC)  
Stationary Object Detection (SOD)  
Heat Map (HM)  
Crowd Density Detection (CD)  
Queue Length Detection (QD)  
License Plate Detection (LPD)  
Rare Sound Detection (RSD)

## Network

**Ethernet:** RJ45(10/100BASE-T)  
**Video Compression:** Format H.265/H.264  
**Resolution:**  
**Mainstream@30fps**  
5MP(2880x1620), 4MP(2560x1440), 3MP(2304x1296),  
1080P(1920x1080), 720P(1280x720)  
**Substream@30fps**  
720P(1280x720),VGA(640x480),QVGA(320x240)  
**Mobilestream@30fps**  
VGA(640x480), QVGA (320x240)"  
Video Quality Adjustment: 256Kbps ~ 8Mbps  
**Bitrate control method:** CBR/VBR  
**Streaming Capability:** Triple-Stream(Main/Sub/Mobile)  
**Protocol:** TCP/IP, HTTP, DHCP, DNS, DDNS, RTP/RTSP, SMTP, NTP, UPnP,  
SNMP, HTTPS, FTP  
**Web browser:** IE10/11, Safari V12.1 above, Firefox V.52 above,  
Google chrome V.57 above, Edge V.79 above  
**Security:** IP address filter;complicated password;Authenticated  
username and password  
**Streaming Method:** Unicast/Multicast  
**Application Programming Interface:** ONVIF( Profile S/G/T)

## Environmental

**Operating Conditions:** -35~+60°C/less than ≤ 95% RH  
**Ingress Protection:** IP67

## Electrical

**Input Voltage / Current:** D12V/POE(IEEE802.3af)  
**Power Consumption (IR OFF):** 2W-3W  
**Power Consumption (IR ON):** 4W-5.5W

## Mechanical

**Material:** Metal  
**Dimensions (HxWxD):** 150.8\*70.9\*70.9mm  
**Weight:** 400g

# SPECIFICATIONS

+965 9094 1252

+965 9760 3358

info@onesourcekw.com